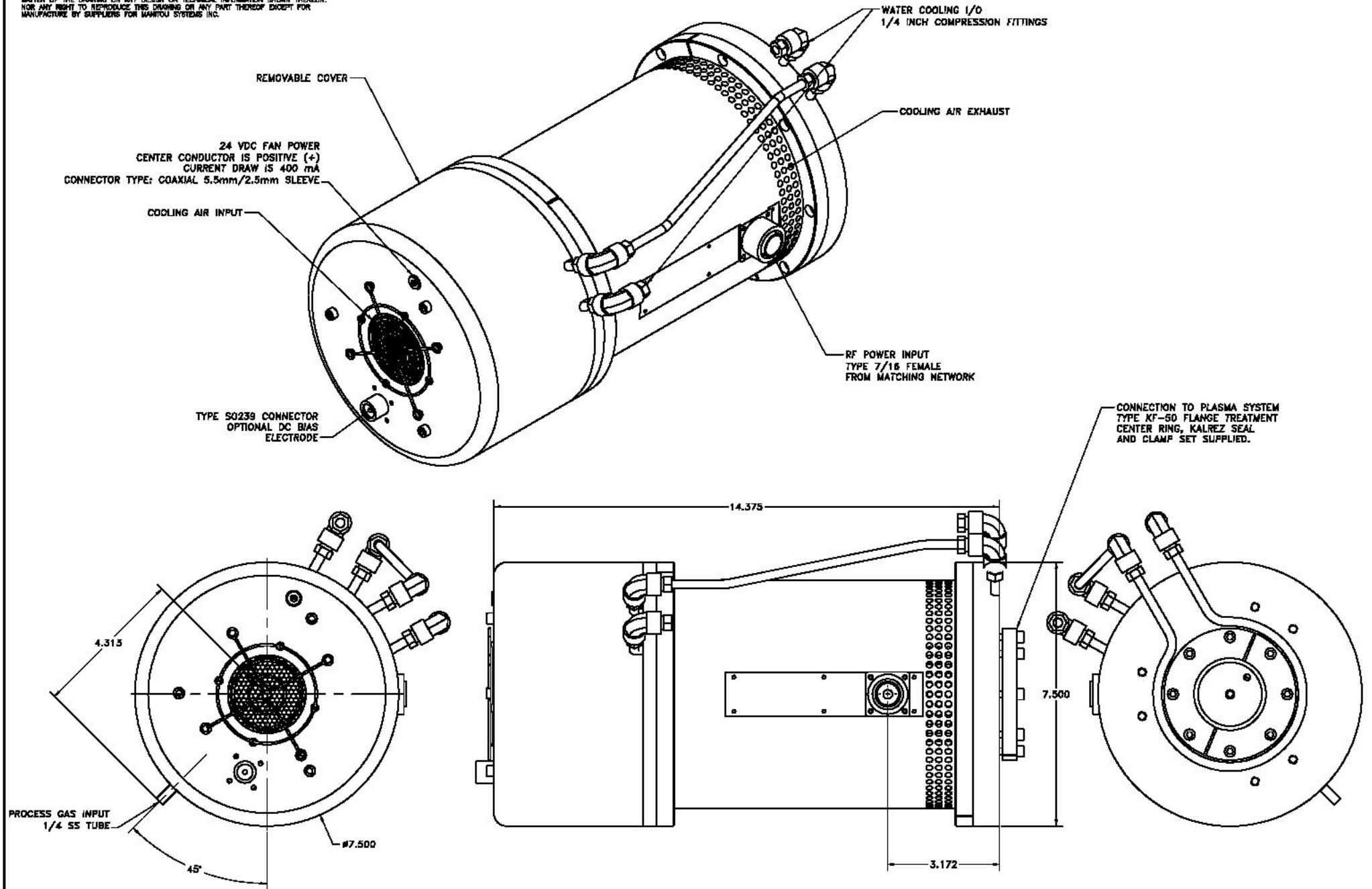

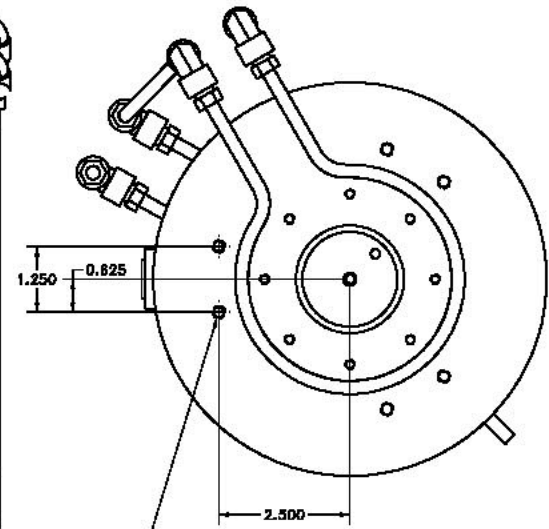
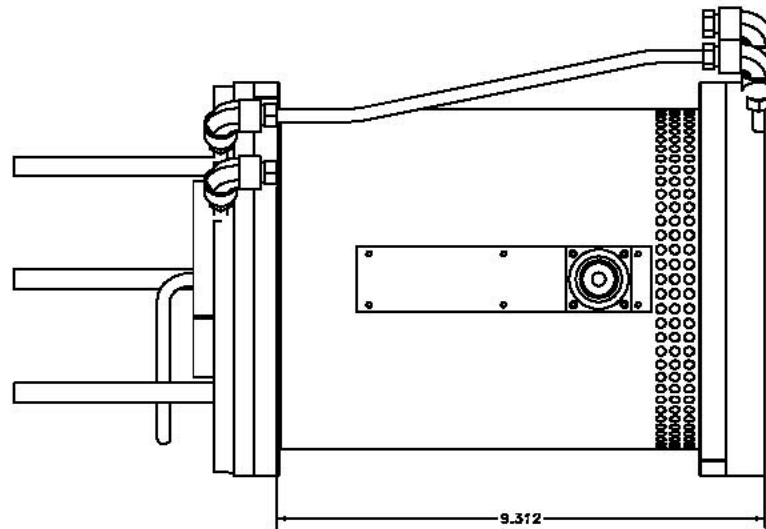
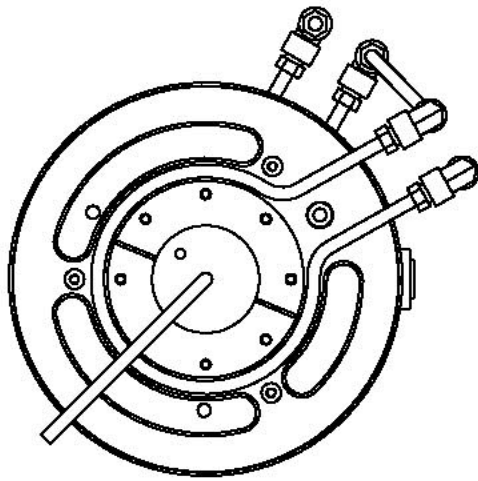


NOTICE TO ALL PERSONS RECEIVING THIS DRAWING
 THIS DRAWING IS ONLY CONDITIONALLY ISSUED AND NEITHER RECEIPT NOR POSSESSION
 THEREOF CONFERS OR TRANSFERS ANY RIGHT IN OR LICENSE TO USE THE SUBJECT
 MATTER OF THE DRAWING OR ANY DESIGN OR TECHNICAL INFORMATION SHOWN THEREON.
 NOR ANY RIGHT TO REPRODUCE THIS DRAWING OR ANY PART THEREOF EXCEPT FOR
 MANUFACTURE BY SUPPLIERS FOR HANFOU SYSTEMS INC.



		DG300 Installation Drawing		
		Dwg. File 00008364		
NEXT ASSY:	SIZE C	FORM NO.	PART NO.	REV 0
DWG FILENAME	Scale	SHEET 1 of 2		

NOTICE TO ALL PERSONS RECEIVING THIS DRAWING
 THIS DRAWING IS ONLY CONDITIONALLY ISSUED, AND NEITHER RECEIPT NOR POSSESSION
 THEREOF CONVEYS OR TRANSFERS ANY RIGHT IN, OR LICENSE TO USE, THE SUBJECT
 MATTER OF THE DRAWING OR ANY DESIGN OR TECHNICAL INFORMATION SHOWN THEREON.
 NOR ANY RIGHT TO REPRODUCE THIS DRAWING OR ANY PART THEREOF EXCEPT FOR
 MANUFACTURE BY SUPPLIERS FOR WARRIOR SYSTEMS INC.



0.201 X 0.750 DP.
 1/4-20 THD X 0.50 DP.



DG300 Installation Drawing

Dwg. File 00008364

NEXT ASSY:

SIZE

FROM NO.

PART NO.

REV

DWG FILENAME

Scale

0

SHEET 2 of 2