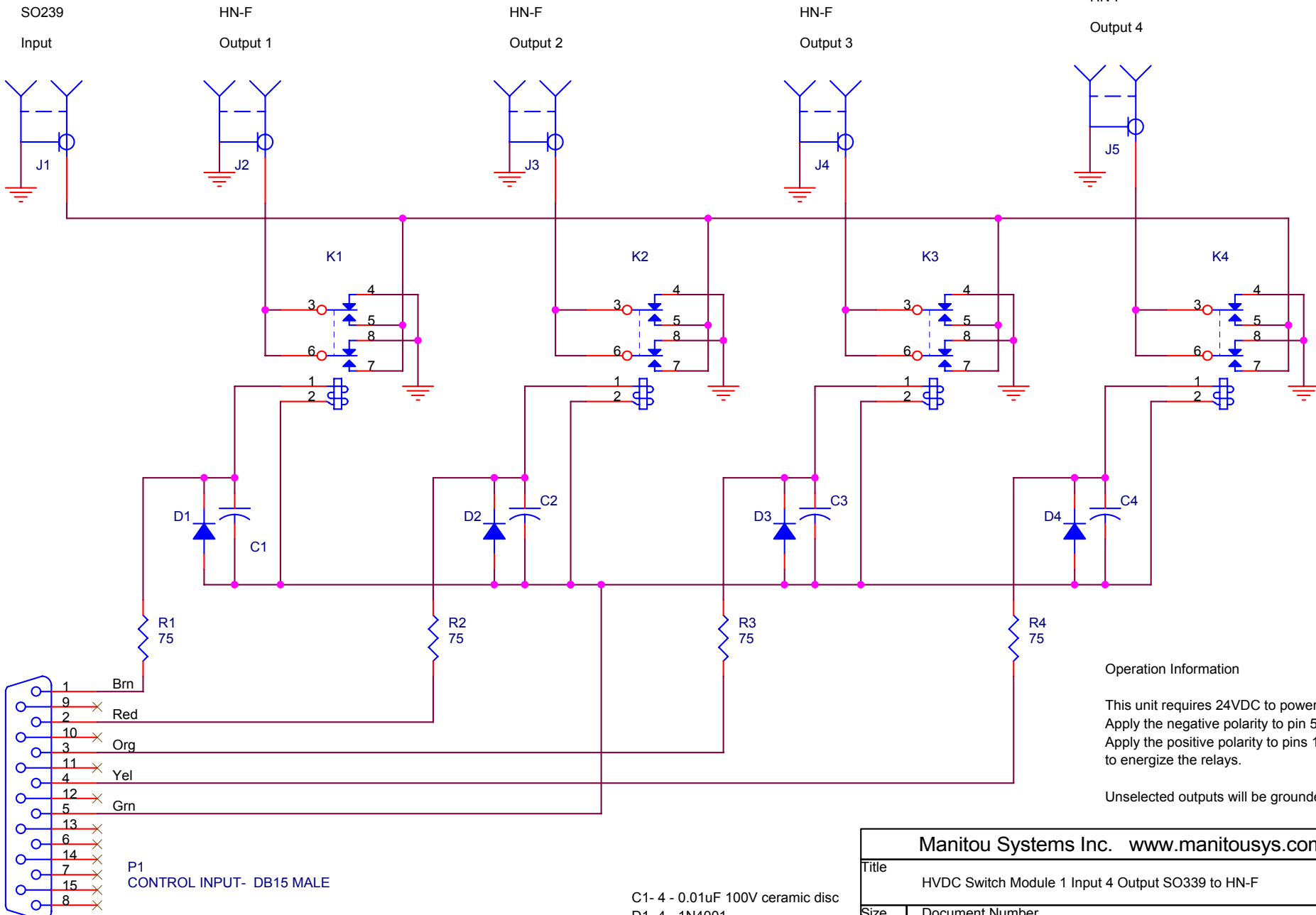


Rev	Description	Date
0	Initial Release	03/07/06



Operation Information

This unit requires 24VDC to power the relays. Apply the negative polarity to pin 5. Apply the positive polarity to pins 1, 2, 3 or 4 to energize the relays.

Unselected outputs will be grounded.

Manitou Systems Inc. www.manitousys.com		
Title HVDC Switch Module 1 Input 4 Output SO339 to HN-F		
Size A	Document Number 00800150 r0	Rev 0
Date:	Friday, March 10, 2006	Sheet 1 of 1

C1- 4 - 0.01uF 100V ceramic disc
D1- 4 - 1N4001
K1- 4 - DPDT open frame relays

P1 CONTROL INPUT- DB15 MALE