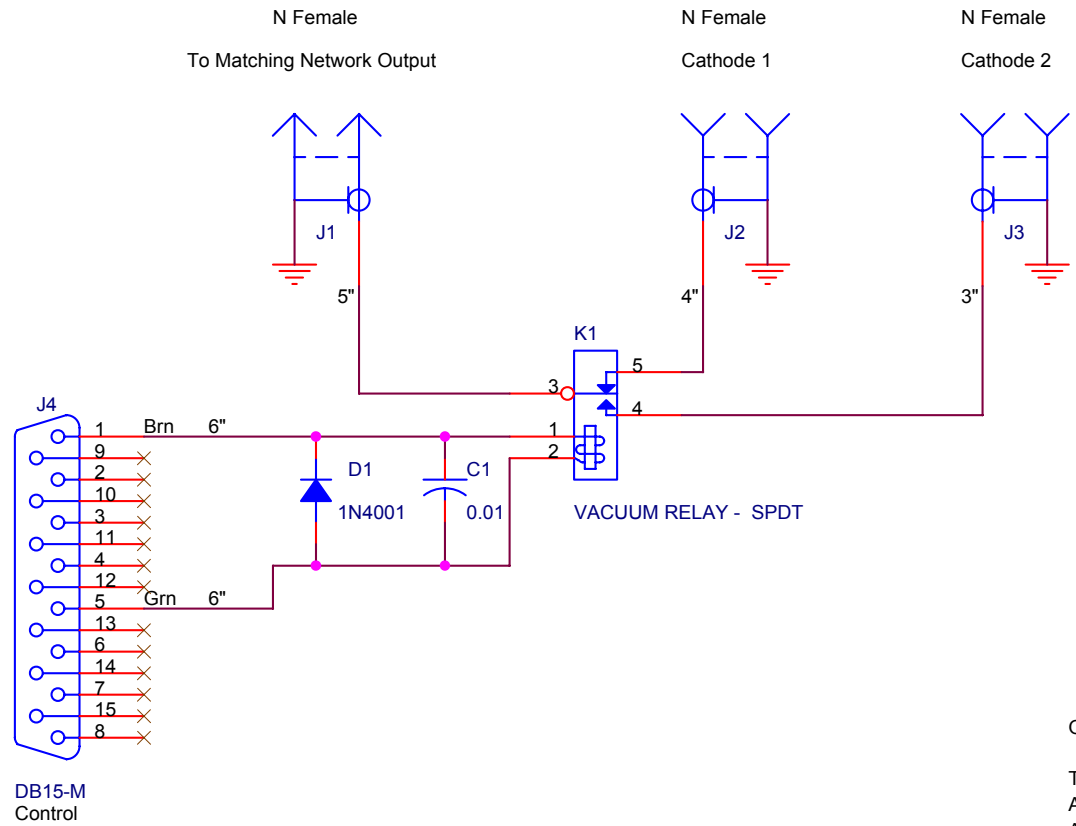


Rev	Description	Date
0	Original release	08/17/05



Operation Information

This unit requires 24VDC to power the relay.
 Apply the negative polarity to pin 5
 Apply the positive polarity to pins 1 to energize the relay.

To operate Cathode 1 apply no voltage.
 To operate Cathode 2 apply voltage at pin 1

Manitou Systems Inc. www.manitousys.com		
Title RF/DC Power Switch- 2 output. N-F in to N-F out		
Size A	Document Number 00800151 r0	Rev 0
Date: Friday, March 10, 2006	Sheet 1	of 1