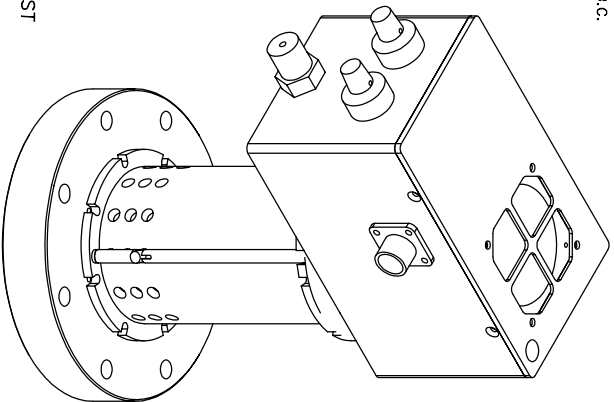
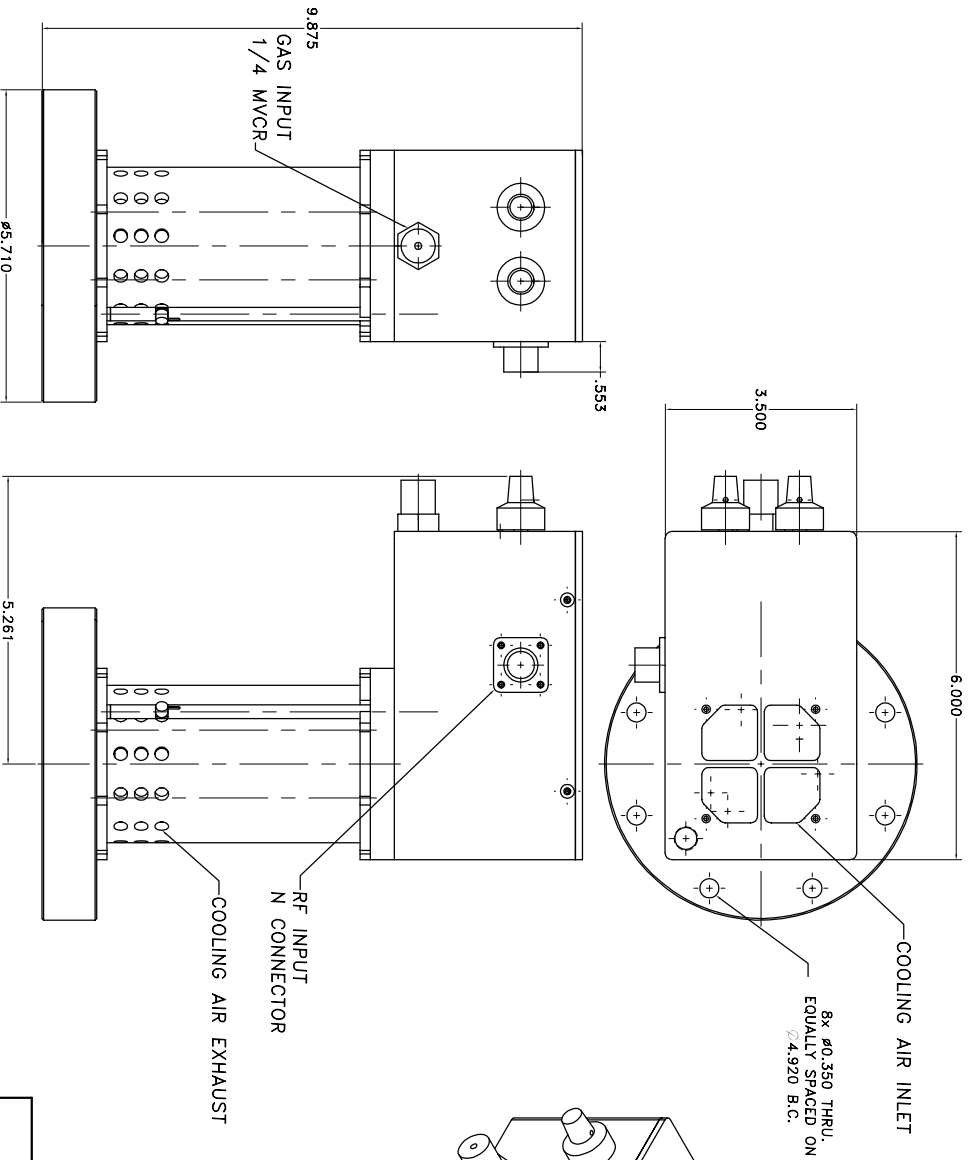


NOTICE TO ALL PERSONS RECEIVING THIS DRAWING
 THIS DRAWING IS ONLY CONDITIONALLY ISSUED, AND NEITHER RECEIPT NOR POSSESSION
 HEREOF CONSTITUTES AN ENDORSEMENT OR LICENSE TO USE, REPRODUCE,
 MODIFY OR TRANSMIT IN ANY MANNER WITHOUT THE WRITTEN PERMISSION OF MANITOU SYSTEMS
 NOR ANY RIGHT TO REPRODUCE THIS DRAWING OR ANY PART THEREOF EXCEPT FOR
 MANUFACTURE BY SUPPLIERS FOR MANITOU SYSTEMS INC.



NOTES:
 BREAK ALL SHARP CORNERS MIN.005 RADIUS UNLESS OTHERWISE SPECIFIED.
 MIN. BEND RADIUS PERMISSIBLE.
 PARTS TO BE CLEAN AND FREE OF ALL MACHINING FLUIDS AND DEBRIS.

ALL DIMENSIONS ARE IN INCHES
 TOLERANCE UNLESS OTHERWISE SPECIFIED
 X=+/-0.15
 .XX=+/-0.010
 .XXX=+/-0.005
 ANGLES +/- 1/2 DEGREE



DG80; KALREZ, 80MHZ MN

NEXT ASSY:
 DWG FILENAME:

| | | |
|-------|--------------|-----|
| SIZE | PART NO. | REV |
| B | 00008452 | 0 |
| Scale | SHEET 1 of 1 | |