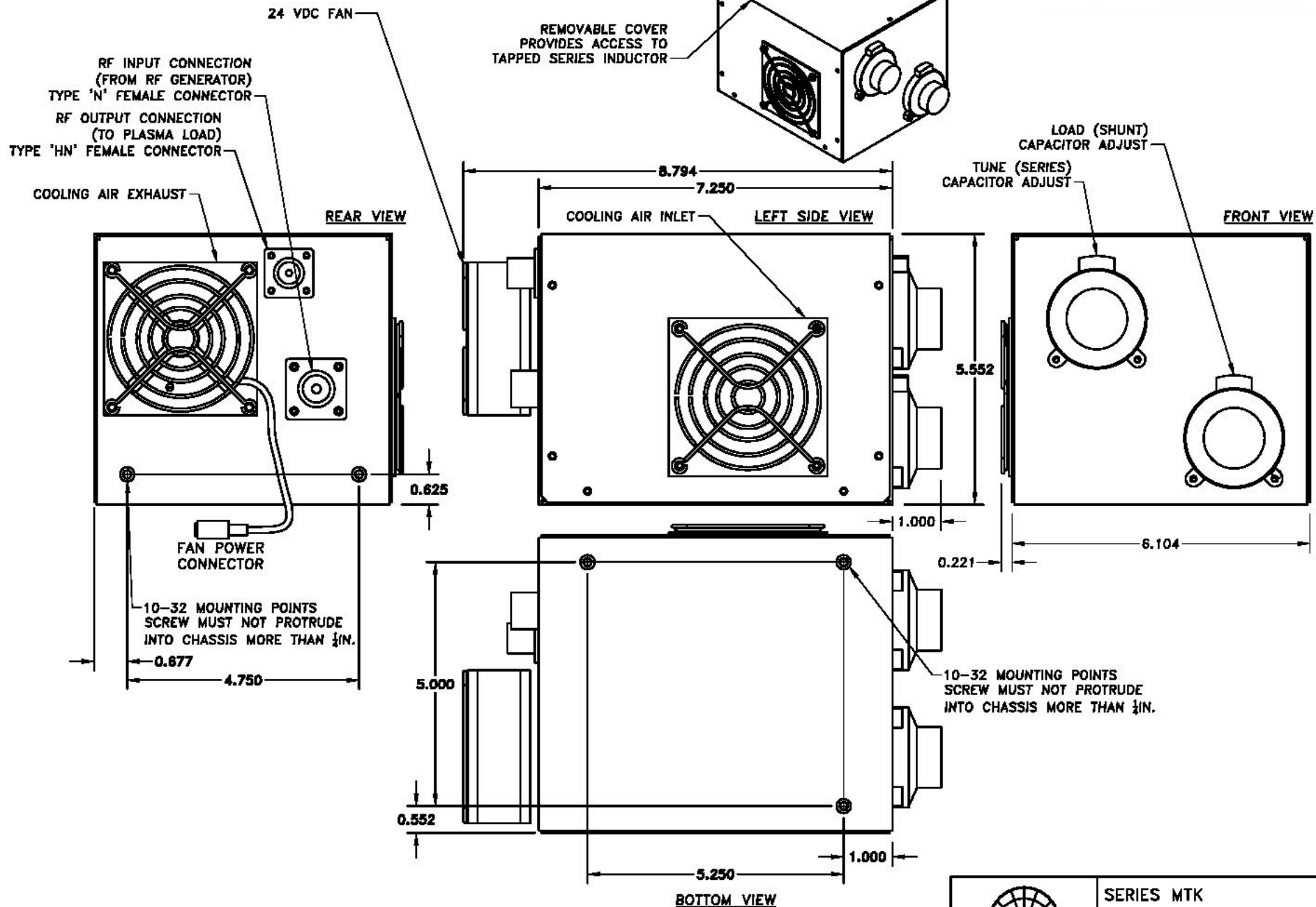



NOTICE TO ALL PERSONS RECEIVING THIS DRAWING
 THIS DRAWING IS ONLY CONDITIONALLY ISSUED, AND NEITHER RECEIPT NOR POSSESSION
 THEREOF CONFERS OR TRANSFERS ANY RIGHT IN OR LICENSE TO USE, THE SUBJECT
 MATTER OF THE DRAWING OR ANY DESIGN OR TECHNICAL INFORMATION SHOWN THEREON.
 NOR ANY RIGHT TO REPRODUCE THIS DRAWING OR ANY PART THEREOF EXCEPT FOR
 MANUFACTURE BY SUPPLIERS FOR HANVOU SYSTEMS INC.



	SERIES MTK			
	MANUAL IMPEDANCE MATCHING NETWORK			
REV#	REV#	FORM NO.	PART NO.	REV#
00008365	C			
DWG FILENAME: 00008365			SHEET 1 of 1	